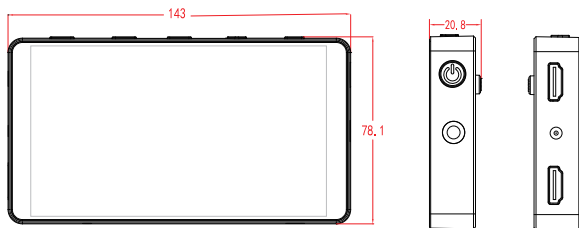


5.5" Full HD Touch Screen 4K HDMI On-Camera Monitor



Main body Dimensions



Screen Parameters

Screen Size	5.5 inch
Resolution	1920x1080
Display area	120.96(W) ×68.04(H)mm
Contrast Ratio	1000:1
Brightness	450nits
Viewing Angle	178°(H/V)
Backlight	LED

S6 Plus

Desview

www.desview.com

Desview S6 Plus is a 5.5-inch on-camera monitor with OCR touch screen panel featuring a 1920x1080 Full HD resolution. It supports 4K HDMI signal input and output, up to 4096x2160p@24Hz. Its light and slim design is convenient for shooting on-camera as well as a suitable complement to handheld gimbals. Professional Functions: Brightness/RGB histogram, luminance/RGB waveform, zebra, false colors, camera mode, pinch to zoom.

Product Highlights

Full HD 1920x1080 native resolution
Supports 4K HDMI input and output
The 5.5-inch touch screen panel
Light and slim design, 158g only
Brightness/RGB histogram, Luminance/RGB waveform
Custom 3D-LUT/Zebra /Peaking/ False colors
Pinch to zoom

Signal Interface

Input	
HDMI x1	
Output	
HDMI x1	
Audio Output	
3.5mm Headphone Jack	

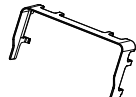
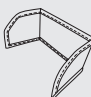
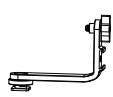

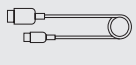
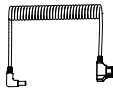


Signal Format

HDMI	720x480i&720x480p@59.94, 60Hz
	720x576i & 720x576p@50Hz
	1280x720p@50, 59.94, 60Hz
	1920x1080i@50, 59.94, 60Hz
	1920x1080psf@24, 25, 29.97, 30Hz
	1920x1080p@23.93, 24, 25, 29.97,30,50,59.94,60Hz
	3840x2160p@24,25,30Hz
	4096x2160p@24Hz

Other Parameters

Size	143x78.1x20.8mm
Weight	158g
Texture	ABS Engineering Plastic
Input Voltage	DC7-24V
Output Voltage	8V
Operating power	≤9W

Standard accessories

 sunshield	 sunhood	 L mount	 OTG cable
 HDMI cable (A/C)	 D-Tap cable	 U disk	 Microfiber Cloth